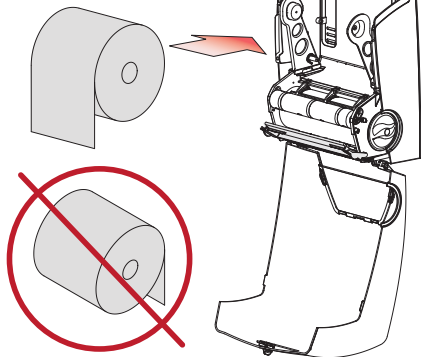




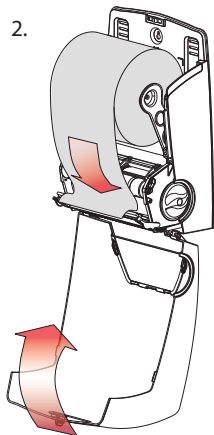
## Mechanical Hands Free Towel

### Towel Loading instructions

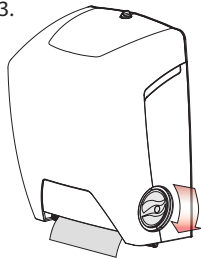
1.



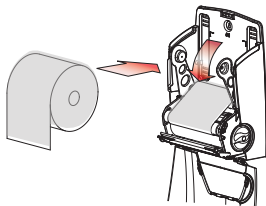
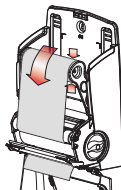
2.



3.



Stub Roll



Label# 20273-CCP-XXXX  
Rev. A Date: 5-3-2018

Need Help? Any Questions? Need Refills?

**1-800-729-6726**

**www.nasscoinc.com**

Item #: **N-02772 / N-02773**